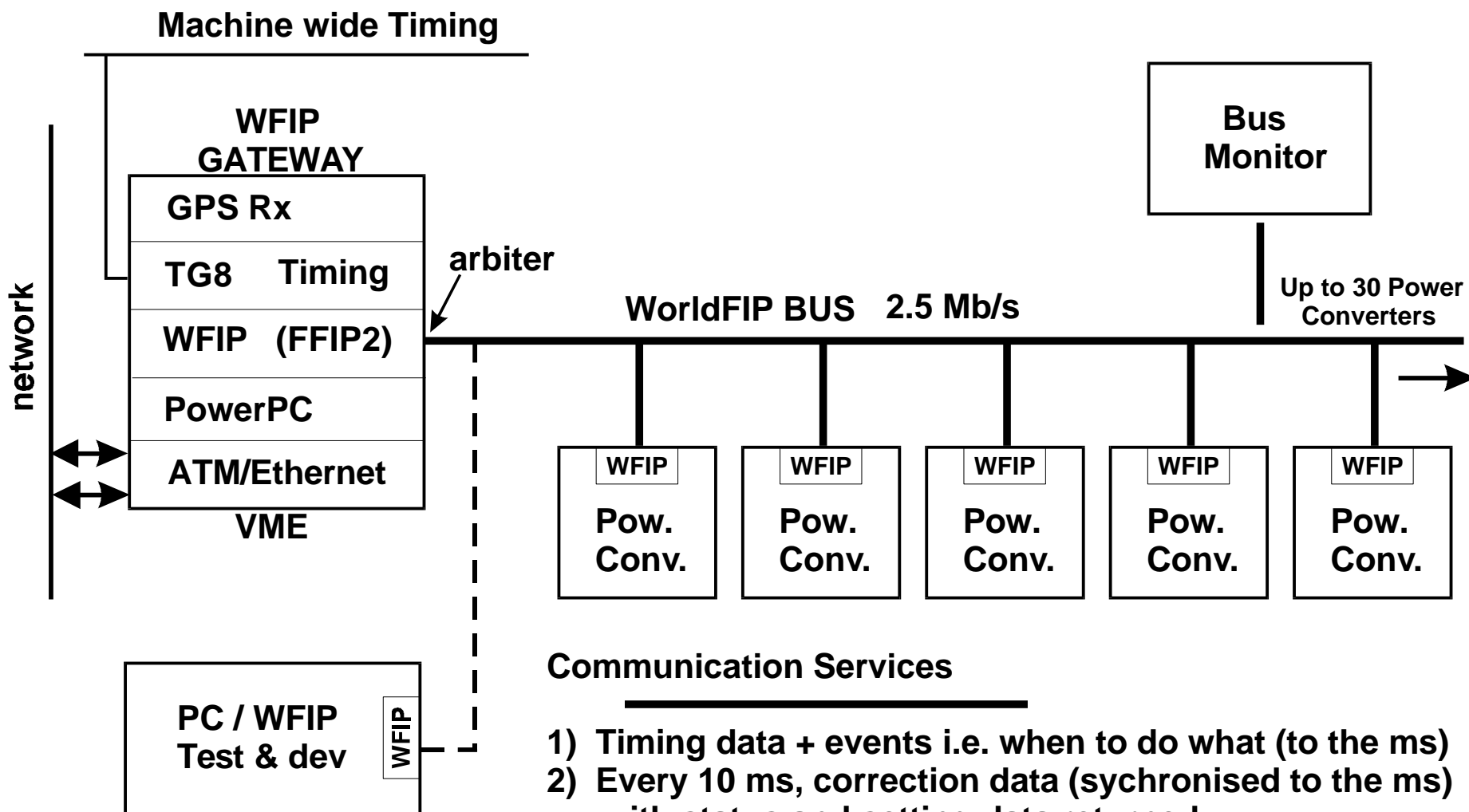


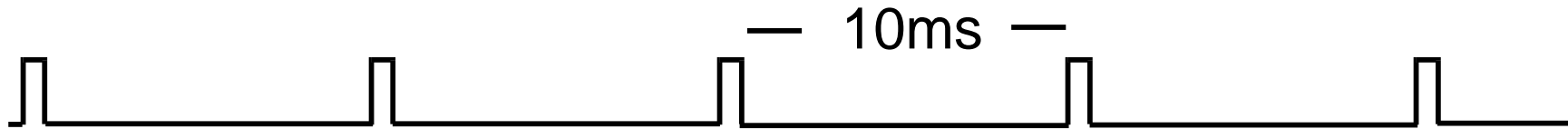
Proposal for LHC/SM18 Power Converter Communication Structure, using WorldFIP Fieldbus



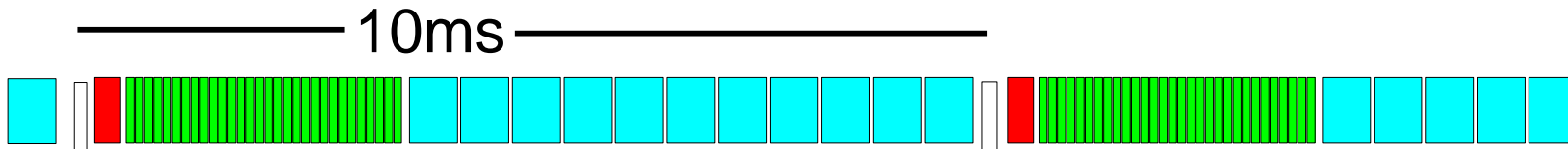
Communication Services

- 1) Timing data + events i.e. when to do what (to the ms)
- 2) Every 10 ms, correction data (synchronised to the ms) with status and setting data returned
- 3) Interactive command/status messages, TCP/IP

Basic WFIP Timing for Power Converter Communication



External 10ms Timing Pulses



Basic WFIP Frame



Interrupt to HC16 Micro-controller [used to synch 1ms clk]